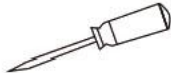

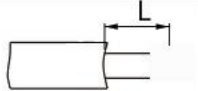
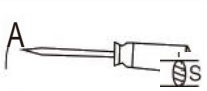
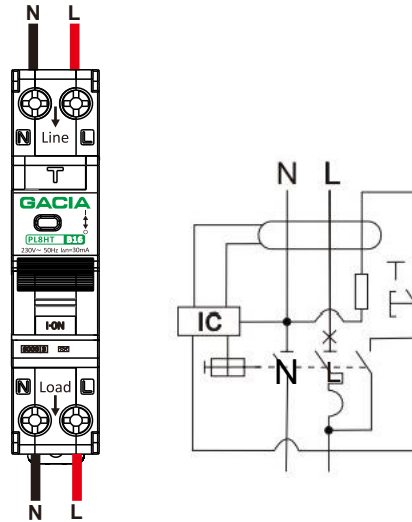


RCBO PL8HT Instructions

Installation Instruction

This product **MUST** be installed by a licensed electrician.
 Line is located top of product, Load is located bottom of product.
 To avoid damage to RCBO, disconnect before insulation testing.
 Connect the Neutral cable for the circuit before connecting the Line active cable.

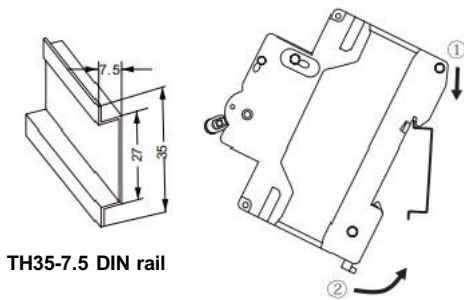
	
	L:12mm S:(1-10)mm ²
	Recommended 1.5Nm



Applications:

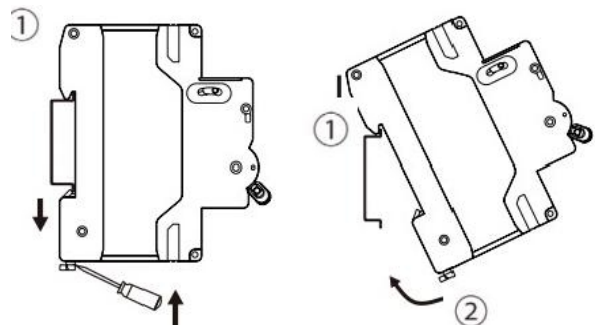
- Used in domestic installations as well as commercial electrical distribution systems.
- Protection of circuits against short-circuit currents.
- Protection of circuits against overload currents.
- Protection of circuits against earthleakage currents.

Mounting

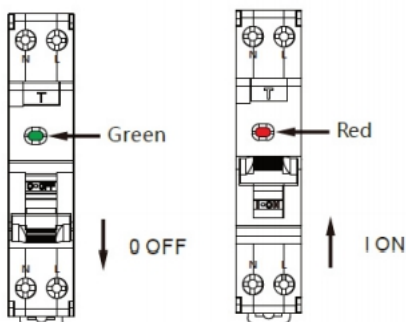


TH35-7.5 DIN rail

Dismounting



Status Indication



WARNING: If RCBO trips, it may be caused by overload, short circuit or earth leakage. The installation should be checked before resetting RCBO.